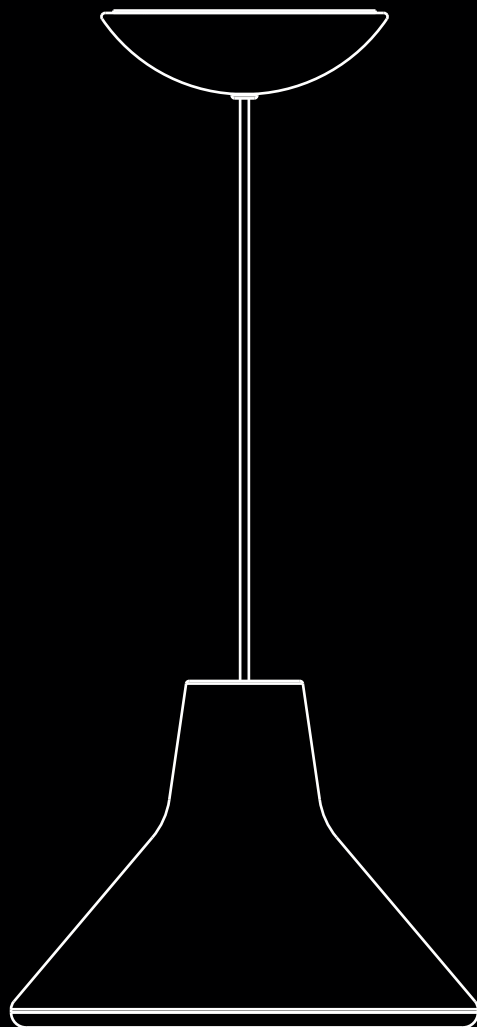


# ARCHETYPE

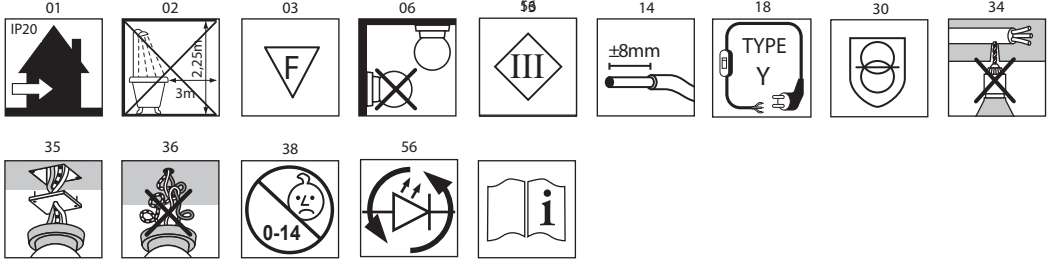
design Goodmorning Technology



**LUCE  
PLAN**

D68C1

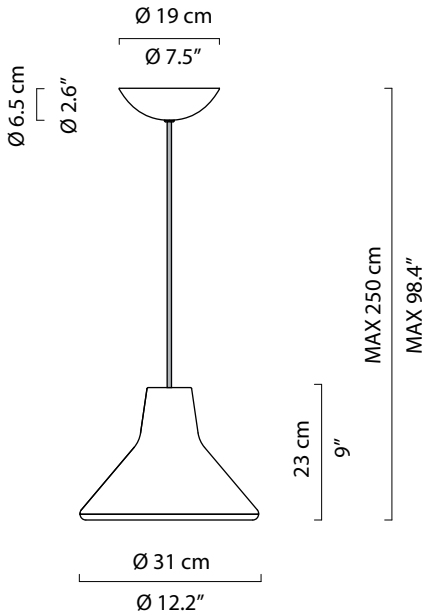




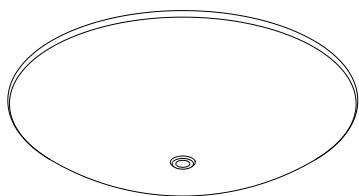
## D68C1



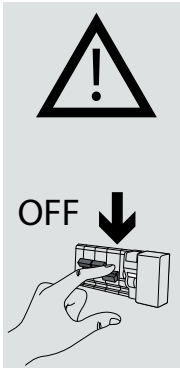
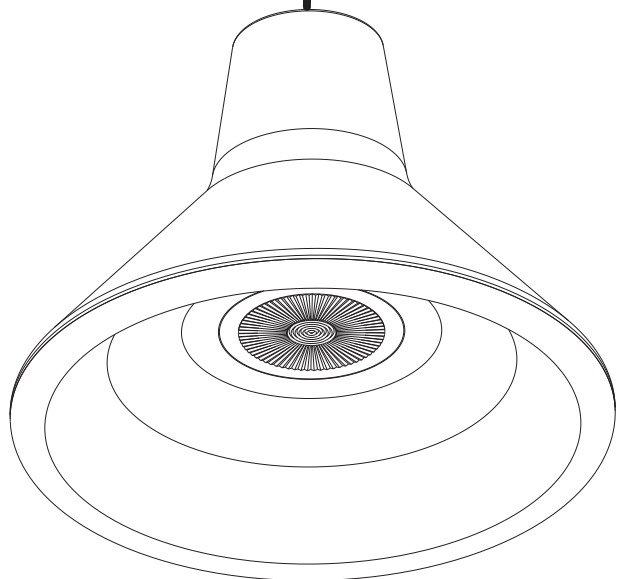
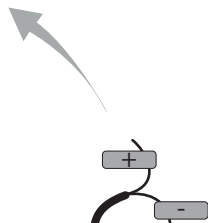
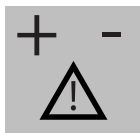
x1



**kg** 1,7 kg    **lb** 3.8 lb



D68/1T  
D68/1D





[www.luceplan.com](http://www.luceplan.com)

D680IF203