

COSTANZINA

design Paolo Rizzatto, 1992

**LUCE
PLAN**

Type: Table

Light source D13pi./ D13pi.pt. 42W HSGSA E14 EEL: D
12W FB E14 energy saver EEL: A
LED E14 EEL: A
D13.pic. LED LED 6W E14 (included) EEL: A

Product use: Indoor

Materials: Aluminium stem interchangeable polycarbonate silkscreened shade

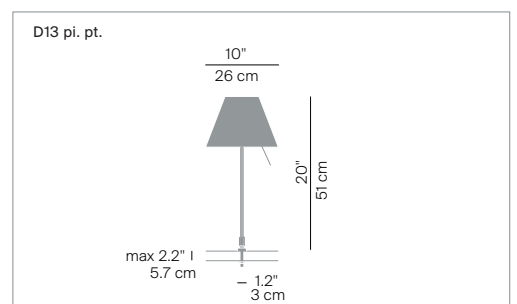
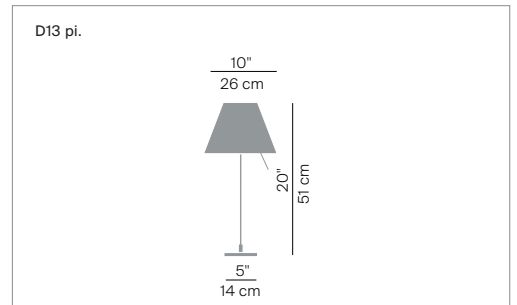
Colors: Structure in alu, black, off white, brass.
Shade in white, comfort green, edgy pink, mistic white, soft skin, shaded stone, primary red, liquorice black, petroleum blue, smart yellow, concrete grey

Description: A discrete but solid presence, Costanzina can easily be positioned in any room, without creating problems of style. The polycarbonate lampshade rests on the aluminium structure at two points alone. When bumped into, the shade can swing but doesn't fall.

Insulation class: 

Awards: Part of the permanent Architecture an Design collection of MoMA, Museum of Modern Art, New York

Reference code: Structure
D13 pi. 1D13=NP00020 alu
1D13=NP00017 black
1D13=NP00003 off white
1D13=NP00030 brass
D13 pi.pt. 1D13PNP00020 alu
D13. pic. LED 1D13=NPLC020 complete version (alu body, white shade)
Shade
D13pi/1/4 1D13=1P11N02 white
Mezzo Tono collection
D13pi/1/2 9D1331437737 comfort green
9D1331437724 edgy pink
9D1331437734 mistic white
9D1331437738 soft skin
9D1331437739 shaded stone
Radiouse collection
D13pi/1/2 9D1331437708 primay red
9D1331437701 liquorice black
9D1331437736 petroleum blue
9D1331437706 smart yellow
9D1331437705 concrete grey



NEW COLOUR COLLECTIONS

MEZZO TONO

SOFT SKIN
CIPRIA
PUDER
ROSE PÂLE
ROSA PÁLIDO



COMFORT GREEN
VERDE ALCHIMIA
SEEGRÜN
VERT D'EAU
VERDE AGUA



MISTIC WHITE
BIANCO NEBBIA
NEBELWEISS
BLANC MYSTIQUE
BLANCO MISTICO



EDGY PINK
ROSA MISTICO
MYSTISCHES ROSA
PÊCHE
MELOCOTÓN



SHADED STONE
NOCCIOLA
NOUGAT
NOISETTE
CANELA



RADIEUSE

LIQUORICE BLACK
NERO LIQUIRIZIA
LAKRITZSCHWARZ
NOIR RÉGLISSE
NEGRO HOLLÍN



SMART YELLOW
GIALLO VIVO
KANARIENGELB
JAUNE VIF
AMARILLO FUERTE



PETROLEUM BLUE
BLU PETROLIO
PETROLBLAU
BLEU MARINE
AZUL PETROLEO



CONCRETE GREY
GRIGIO CEMENTO
BETONGRAU
GRIS BÉTON
GRIS ASFALTO



PRIMARY RED
ROSSO PRIMARIO
JOHANNISBEERROT
ROUGE PRIMAIRE
ROJO PRIMARIO

