


# SILENZIO

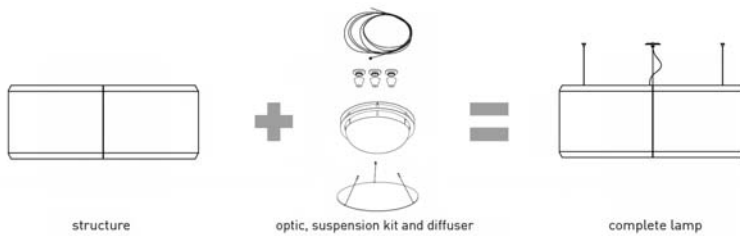
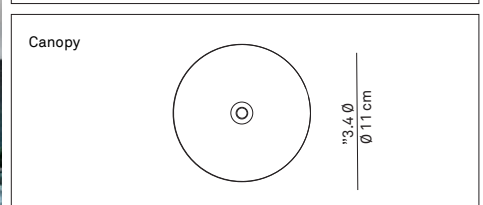
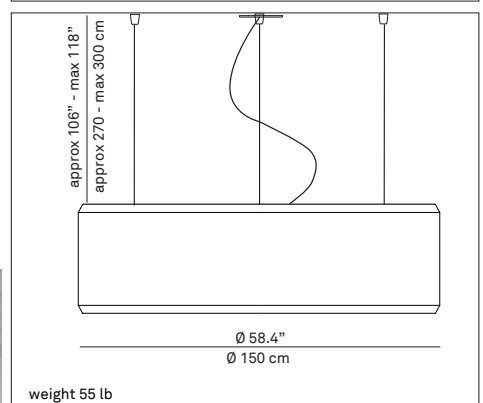
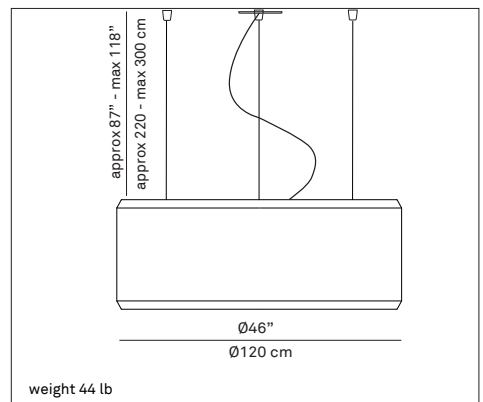
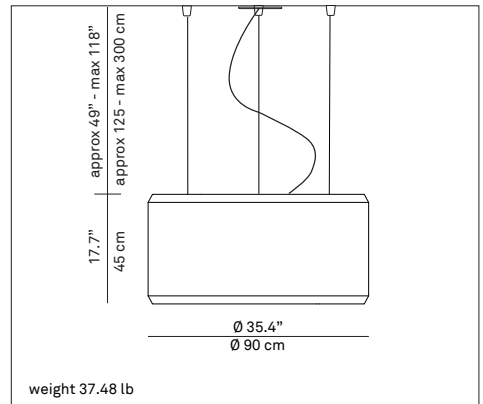
design Monica Armani

**LUCE  
PLAN**

- Type: Suspension
- Light source: 3 x max 30W LED or Fluo medium base 120V only or LED 40W, 3000K, 120/277V~ 60Hz
- Product use: Indoor
- Materials: textile, Remix 2 (90% wool, 10% nylon)
- Colors: see the textile references
- Description: The quality of light combined with acoustic comfort and the beauty of Kvadrat fabrics. Silenzio is a lighting system that combines decor solutions with high sound absorption for public and private spaces.

Certifications: 

Reference code: D79/90c structure	1D7909C000A2 1D7909C000A3 1D7909C000B2 1D7909C000B1	light grey dark grey rust sand
D79/120c	1D7912C000A2 1D7912C000A3 1D7912C000B2 1D7912C000B1	light grey dark grey rust sand
D79/150c	1D7915C000A2 1D7915C000A3 1D7915C000B2 1D7915C000B1	light grey dark grey rust sand
Reference code: D79R/02 optics (canopy and suspension cable included)	9D79036 10600	3 x max 30W LED or Fluo
D79R10	9D7910101900	LED 40W dimmable 3000K
D79R12	9D7912102300	LED 40W - Lutron Driver 3000K (upon request)
Reference code: D79R/07 diffuser (accessories)	9D7907726000 9D7907726100 9D7907726200	satin for D79/90 satin for D79/120 satin for D79/150



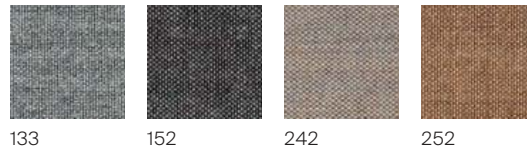
## Chromatic Journey

Textiles by

### kvadrat

Kvadrat Remix 2  
fabric designed by Giulio Ridolfo.  
(90% wool, 10% nylon).

### Standard colours



EN The Silenzio lamp is covered in grisaille-type Kvadrat fabric featuring material and elegant texture. The collection comes in four colours with matching hues and other colour ranges are also available in support of the customer's choice to customise the suspensions in a "chromatic journey".

IT La lampada Silenzio è ricoperta dal tessuto Kvadrat con un aspetto "grisaglia" e una texture dalla mano materica ed elegante. Per la collezione sono stati abbinati cinque colori in tono fra loro e sono state effettuate ulteriori selezioni cromatiche per supportare la scelta del cliente nella personalizzazione delle sospensioni in una sorta di "viaggio cromatico".

DE Silenzio ist die schallabsorbierende Oberfläche der Leuchte mit Stoff von Kvadrat bezogen, mit seiner grisailleartigen, rau-eleganten Optik. Für die Kollektion wurden fünf zueinander passende Farbnuancen kombiniert. Die zusätzlichen Farben wollen unsere Kunden bei ihrer individuellen Farbauswahl für den Bezug und die Abhängungen unterstützen und zu einer „chromatischen Reise“ einladen.

FR La lampe est revêtu d'un tissu Kvadrat avec un aspect "en grisaille" et d'une texture élégante et substantielle. Pour la collection Silenzio, cinq couleurs dans les mêmes tonalités ont été employées, enrichies d'ultérieures sélections chromatiques pour répondre à tous les désirs de nos clients afin de personnaliser panneaux et suspensions en créant un véritable "voyage chromatique".

ES La lampara está recubierto del tejido Kvadrat con un aspecto de «grisalla» y una textura matérica y elegante. Para la colección Silenzio se han combinado cinco colores pertenecientes a la misma gama de tonos, si bien se han realizado además otras selecciones cromáticas para apoyar las preferencias del cliente en la personalización de paneles y suspensiones, dentro de un «viaje cromatico».

### Possible color schemes available upon request, for customized solutions

#### Green



412

912

942

#### Blue



733

743

753

#### Green/beige



223

923

#### Pink/lilac



682

722

852

#### Orange



443

543

653

#### Grey



123